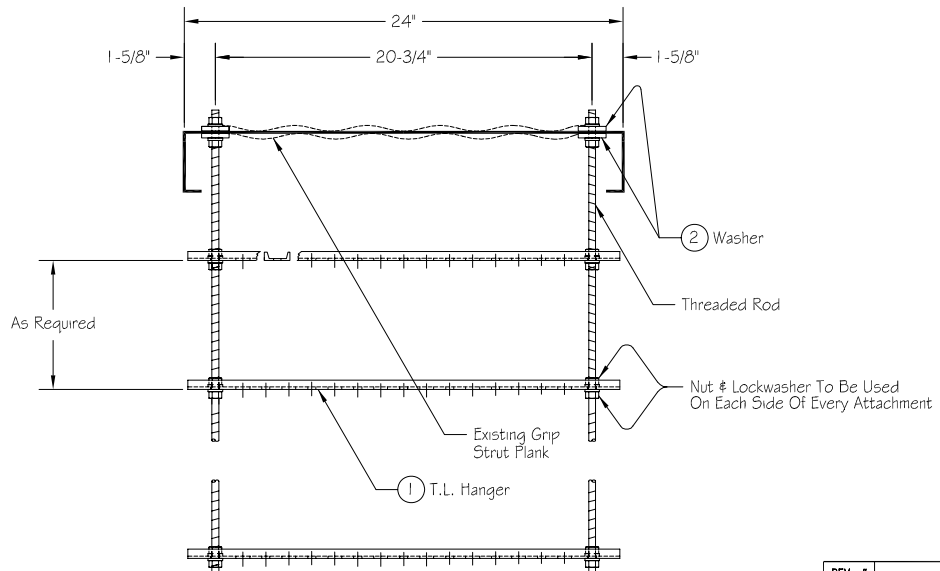


ASSEMBLY DRAWING

SECTION A-A



STEEL PARTS

ITEM NO.	PART NO.	DESCRIPTION	QTY.
1	TLB007	T.L. Hanger (8 Snap-In / 7 Bolt-In)	21
2 *	TLB001	Threaded Rod Attachment Washer	12

HARDWARE

ITEM NO.	PART NO.	DESCRIPTION	QTY.
1	TR37X4800G	3/8" x 48" H.D.G. Threaded Rod	6
2	NU037G	3/8" H.D.G. Nuts	100
3	WLO37G	3/8" H.D.G. Lockwashers	100

WEIGHT & ENGINEERING INFORMATION


KIT NO.	WEIGHT (lbs.)	DESCRIPTION	CaAc (Sq. Ft.)
KTH-7L-2X10B	49	7 Layer Hanger Kit For 2' x 10' Plank	N/A

NOTES:

- 1.) Hanger Spacing Shown Is For Reference Only. Spacing May Change Due To Customers Personal Preference And / Or Site Conditions.
- 2.) Each Hanger Can Support Up To A Maximum Of 8 Feedlines Per Layer. There Are A Total Of (8) 3/4" Ø Holes & (7) 7/16" Ø Holes Per Hanger At 1-1/4" c-c In An Alternating Pattern. This Is Done To Support (8) Snap-In Or (7) Bolt-In Lines.
- 3.) The 8 Layer Kit Shown Here Has Holes Provided For (56) Snap-In Or (49) Bolt-On Lines.
- 4.) One Kit Required Per 2' x 10' Grip Strut Plank.
- 5.) Steel Parts Indicated Above With An "*" Will Be Packed With The Hardware.


 PH# (812) 853-0595
 FAX# (812) 853-6652
 2855 HIGHWAY 261
 NEWBURGH, IN. 47630

REV. #	DESCRIPTION	DATE	APP.	DRAWN A.J.H.	DATE 9-19-00

THIRD ANGLE PROJECTION 	COMPANY CONFIDENTIAL INFORMATION CONTAINED HEREIN IS CONFIDENTIAL. IT IS TO BE USED SOLELY FOR THE PURPOSE PROVIDED, AND IT IS NOT TO BE DISCLOSED TO OTHERS WITHOUT THE PRIOR WRITTEN CONSENT OF TOWER INNOVATIONS.	TOLERANCES .X± 3/32" ANGLES± 2" .XX± 3/32" DRILLED HOLES± #1/32" .XXX± 1/16" BURNED HOLES± #1/16"	UNLESS OTHERWISE SPECIFIED DIMENSIONS ARE IN: INCHES	DWG NO. KTH-7L-2X10B	REV -
---	--	--	---	--------------------------------	----------

DO NOT SCALE DRAWING

TITLE
7 Layer Hanger Kit For 2' x 10' Plank