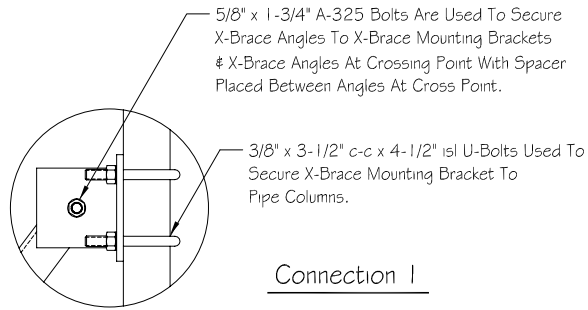
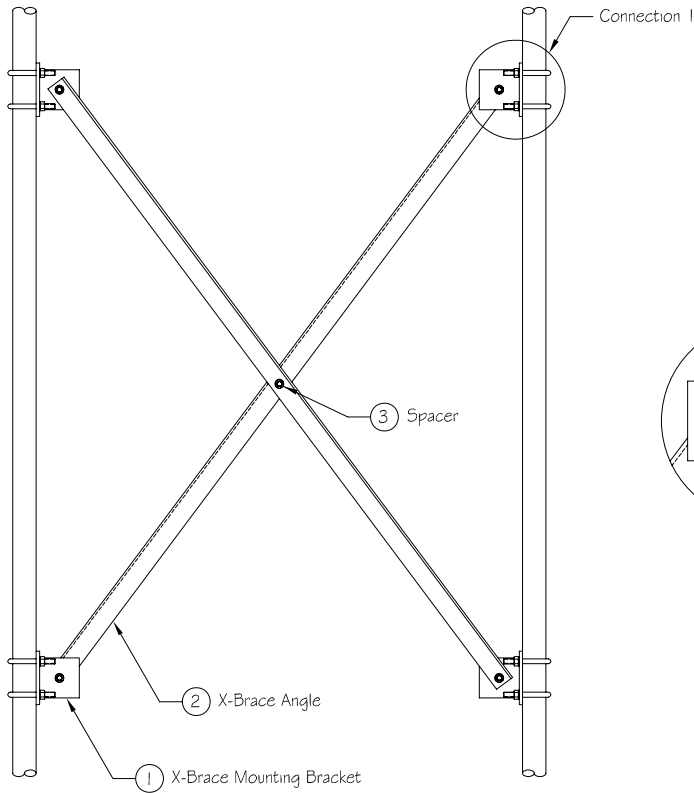


ASSEMBLY DRAWING



STEEL PARTS

ITEM NO.	PART NO.	DESCRIPTION	QTY.
1	TLB011	X-Brace Mounting Bracket	8
2	TLB009	X-Brace Angle	4
3*	SPC100X037	1" Sch 40 Spacer x 3/8" Long	2

HARDWARE

ITEM NO.	PART NO.	DESCRIPTION	QTY.
1	UB37X350G	3/8" x 3-1/2" c-c x 4-1/2" isl A-36 U-BoIts	16
2	BT62X175G	5/8" x 1-3/4" A-325 Bolt	10
3	NU037G	3/8" H.D.G. Nuts	32
4	WLO37G	3/8" H.D.G. Lockwashers	32
5	WFO37G	3/8" H.D.G. Flatwashers	32
6	NU062G	5/8" H.D.G. Nuts	10
7	WLO62G	5/8" H.D.G. Lockwashers	10

** Flatwashers Are To Be Used At All Slotted Hole Locations !! **

WEIGHT & ENGINEERING INFORMATION

KIT NO.	WEIGHT (lbs.)	DESCRIPTION	CaAc (Sq. Ft.)
KTBX4-2540	127	X-Brace Assembly For 4' Bridge 2-1/2" Sch 40 Columns	N/A

NOTES:

- 1.) If Required, Two X-Brace Assemblies Are Required Per 10' Bridge Section.
- 2.) Steel Parts Indicated Above With An "*" Will Be Packed With The Hardware.



PH# (812) 853-0595
FAX# (812) 853-6652
2855 HIGHWAY 261
NEWBURGH, IN. 47630

REV. #	DESCRIPTION	DATE	APP.	DRAWN A.J.H.	DATE 6-19-00	TITLE
						X-Brace Asm. For 4' x 10' Bridge With 2-1/2" Sch 40 Columns

<p>THIRD ANGLE PROJECTION</p>	<p>COMPANY CONFIDENTIAL INFORMATION CONTAINED HEREIN IS CONFIDENTIAL. IT IS TO BE USED SOLELY FOR THE PURPOSE PROVIDED, AND IT IS NOT TO BE DISCLOSED TO OTHERS WITHOUT THE PRIOR WRITTEN CONSENT OF TOWER INNOVATIONS</p>	<p>TOLERANCES</p> <p>.X± 3/32" ANGLES± 2° .XX± 3/32" DRILLED HOLE± #1/32" .XXX± 1/16" BURNED HOLE± #1/16"</p>	<p>UNLESS OTHERWISE SPECIFIED DIMENSIONS ARE IN:</p> <p>INCHES</p>	<p>DWG NO. KTBX4-2540</p>	<p>REV -</p>
-------------------------------	--	---	--	--------------------------------------	------------------

DO NOT SCALE DRAWING