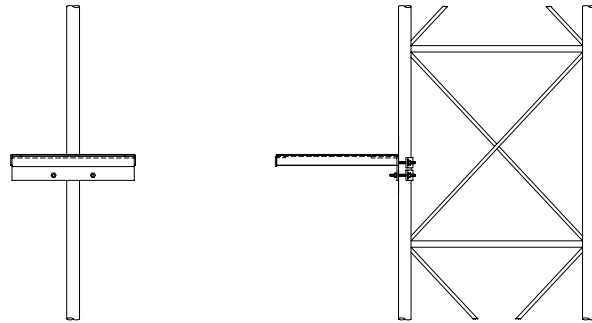
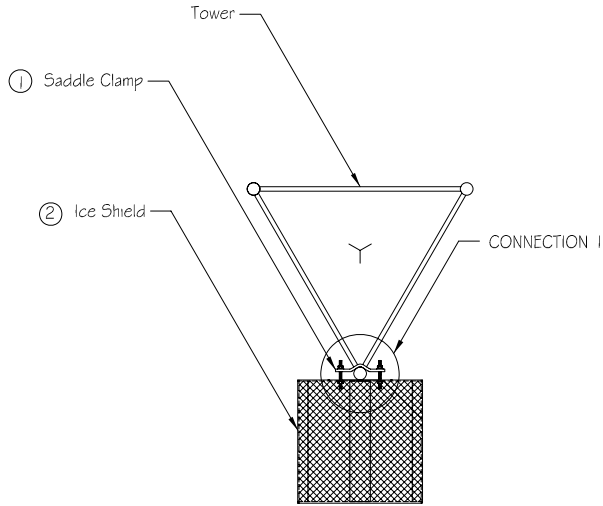
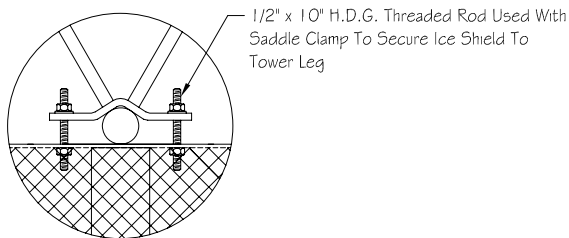


## Typical Installation



### CONNECTION 1



### STEEL PARTS

ITEM NO.	PART NO.	DESCRIPTION	QTY.
1*	CPS125725-50-01	Saddle Clamp for 1-1/4" - 7-1/4" Round Leg	2
2	IS-1272	Ice Shield / Rest Platform For 1-1/4" - 7-1/4" Round Leg	1

### HARDWARE

ITEM NO.	PART NO.	DESCRIPTION	QTY.
1	TR50X1000G	1/2" x 10" H.D.G. Threaded Rod	4
2	NU050G	1/2" H.D.G. Nuts	8
3	WL050G	1/2" H.D.G. Lockwashers	8
4	WF050G	1/2" H.D.G. Flatwashers	4

\*\* Flatwashers Are To Be Used At All Slotted Hole Locations !! \*\*

### WEIGHT & ENGINEERING INFORMATION

KIT NO.	WEIGHT (lbs.)	DESCRIPTION	CaAc ( Sq. Ft.)
KIS1272-120-01	59.90	Ice Shield	0.55

### KIT USE INFORMATION

- 1.) This Kit Is Designed To Withstand The Loading @ 120 mph Wind Speed.
- 2.) This Kit Will Fit The Leg Range Of 1-1/4" - 7-1/4" Round Member.
- 3.) Steel Parts Indicated Above With An "\*" Will Be Packed With The Hardware.

REV. #	DESCRIPTION	DATE	APP.	DRAWN	DATE
				J.J.B.	12-13-00
				CHECK	DATE
				APPROVAL	DATE

THIRD ANGLE PROJECTION

COMPANY CONFIDENTIAL INFORMATION CONTAINED HEREIN IS CONFIDENTIAL. IT IS TO BE USED SOLELY FOR THE PURPOSE PROVIDED, AND IT IS NOT TO BE DISCLOSED TO OTHERS WITHOUT THE PRIOR WRITTEN CONSENT OF TOWER INNOVATIONS

TOLERANCES

.X± 3/32" ANGLES± 2°

.XX± 3/32" DRILLED HOLE± #1/32"

.XXX± 1/16" BURNED HOLE± #1/16"

UNLESS OTHERWISE SPECIFIED DIMENSIONS ARE IN:

INCHES

PH# (812) 853-0595  
FAX# (812) 853-6652  
2855 HIGHWAY 261  
NEWBURGH, IN. 47630

<p>TITLE</p> <h2 style="text-align: center;">UNIVERSAL ICE SHIELD REST PLATFORM</h2>	<p>REV</p> <p style="font-size: 24px;">-</p>
<p>DWG NO.</p> <h1 style="text-align: center;">KIS1272-120-01</h1>	
<p>DO NOT SCALE DRAWING</p>	