

ASSEMBLY DRAWING

STEEL PARTS

ITEM NO.	PART NO.	DESCRIPTION	QTY.
1	TLB324H	24' Heavy Bridge Grip Strut Design	1
2	BTPC-01	Bridge To Pipe Column Connection Plate	6
3	HPLP-210	4" Sch. 80 x 21' Pipe Columns With Bottom Flange	6
4*	PC400	4" Sch. 80 Pipe Cap	6
5*	HTB-TEMP-01	Template For Anchor Bolts	6

HARDWARE

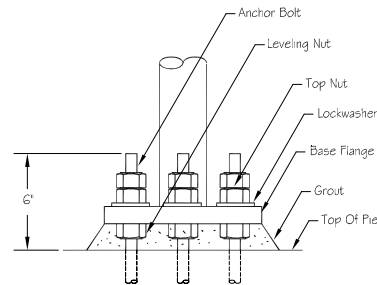
ITEM NO.	PART NO.	DESCRIPTION	QTY.
1	UB50X525G	1/2" x 5-1/4" c-c x 6-1/2" isl A-36 U-Bolts	12
2	UB50X4255Q	1/2" x 4-1/4" c-c x 5-1/2" isl A-36 Sq. U-Bolts	12
3	NU050G	1/2" H.D.G. Nuts	48
4	WL050G	1/2" H.D.G. Lockwashers	48
5	WF050G	1/2" H.D.G. Flatwashers	48
6	AB087X45	7/8" x 45" ASTM A-449 Anchor Bolts	36
7	NU087G	7/8" H.D.G. Nuts	108
8	WL087G	7/8" H.D.G. Lockwashers	36

** Flatwashers Are To Be Used At All Slotted Hole Locations !! **

WEIGHT & ENGINEERING INFORMATION

KIT NO.	WEIGHT (lbs.)	DESCRIPTION	CaAc (Sq. Ft.)
KHB6-324-210-01	3500	3'-9" x 24' Bridge : Six 21' Columns	N/A

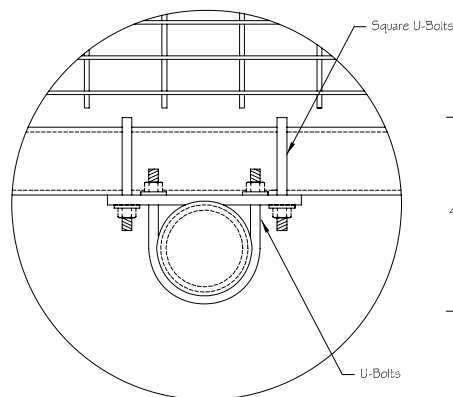
Anchor Bolt Detail



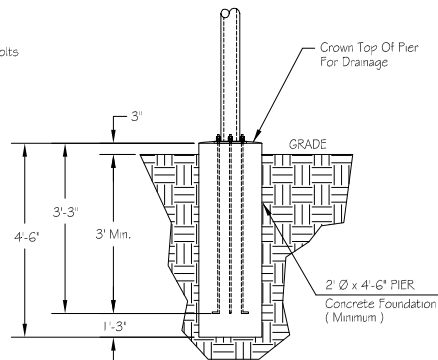
NOTES:


- 1.) Transmission Line Hangers Are Not Provided With This Kit !
- 2.) Steel Parts Indicated Above With An "*" Will Be Packed With The Hardware.
- 3.) The Foundation Design Provided Is Per Normal Soil Parameters Set Forth In TIA/EIA Standards. Bottom Of Foundation Must Be Extended Below The Frost Line For The Area In Which It Is To Be Installed. If Poor Soil Is Encountered, It Is Recommended That A Geotechnical Investigation Be Completed And Foundations Should Be Designed According To The Results & Recommendations Of The Geotechnical Report.

Connections 1 & 2



Foundation Detail




 PH# (812) 853-0595
 FAX# (812) 853-6652
 2855 HIGHWAY 261
 NEWBURGH, IN. 47630

TITLE
 3'-9" X 24' BRIDGE
 WITH SIX 21' LENGTH PIPE COLUMNS

DWG NO.
 KHB6-324-210-01

REV
 -

DATE
 2-11-02

DATE
 -

DATE
 -

UNLESS OTHERWISE SPECIFIED DIMENSIONS ARE IN:
 INCHES

TOLERANCES
 ANGLES ± 2'
 DRILLED HOLE ± #1/32"
 BURNED HOLE ± #1/16"

COMPANY CONFIDENTIAL INFORMATION CONTAINED HEREIN IS CONFIDENTIAL. IT IS TO BE USED SOLELY FOR THE PURPOSE PROVIDED, AND IT IS NOT TO BE DISCLOSED TO OTHERS WITHOUT THE PRIOR WRITTEN CONSENT OF TOWER INNOVATIONS

THIRD ANGLE PROJECTION

DO NOT SCALE DRAWING