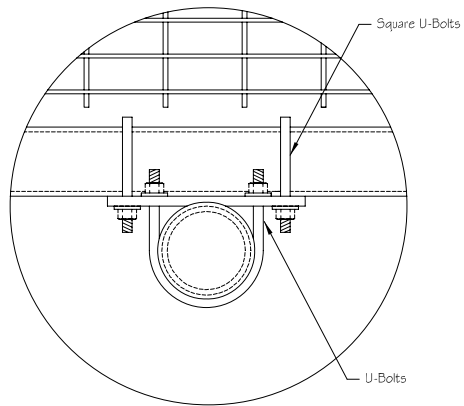
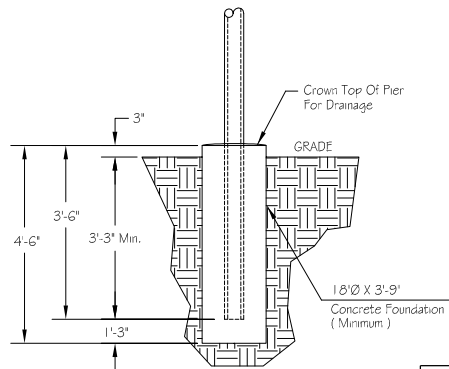


ASSEMBLY DRAWING

Connections 1 & 2



Foundation Detail



STEEL PARTS

ITEM NO.	PART NO.	DESCRIPTION	QTY.
1	TLB303HE	3' Heavy Bridge Gnp Strut Extension Design	1
2	BTFC-01	Bridge To Pipe Column Connection Plate	2
3	FC400-80-252	4' 5ch. 80 x 21' Pipe Columns	2
4*	PC400	4' 5ch. 80 Pipe Cap	2

HARDWARE

ITEM NO.	PART NO.	DESCRIPTION	QTY.
1	UB50X525	1/2" x 5-1/4" c-c x 6-1/2" isl A-36 U-Bolts	4
2	UB50X4255Q	1/2" x 4-1/4" c-c x 5-1/2" isl A-36 Sq. U-Bolts	4
3	NU050G	1/2" H.D.G. Nuts	16
4	WLO50G	1/2" H.D.G. Lockwashers	16
5	WFO50G	1/2" H.D.G. Flatwashers	16

\*\* Flatwashers Are To Be Used At All Slotted Hole Locations !! \*\*

WEIGHT & ENGINEERING INFORMATION

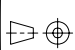
KIT NO.	WEIGHT (lbs.)	DESCRIPTION	CaAc ( Sq. Ft.)
KHB2-303-210-02	935	3'-9" x 3' Bridge : Two 21' Columns	N/A

NOTES:

- 1.) Transmission Line Hangers Are Not Provided With This Kit !
- 2.) Steel Parts Indicated Above With An "\*" Will Be Packed With The Hardware.
- 3.) The Foundation Design Provided Is Per Normal Soil Parameters Set Forth In TIA/EIA Standards. Bottom Of Foundation Must Be Extended Below The Frost Line For The Area In Which It Is To Be Installed. If Poor Soil Is Encountered, It Is Recommended That A Geotechnical Investigation Be Completed And Foundations Should Be Designed According To The Results & Recommendations Of The Geotechnical Report.


 PH# (812) 853-0595  
 FAX# (812) 853-6652  
 2855 HIGHWAY 261  
 NEWBURGH, IN. 47630

REV. #	DESCRIPTION	DATE	APP.	DRAWN A.J.H.	DATE 10-4-05
				CHECK	DATE
				APPROVAL	DATE

THIRD ANGLE PROJECTION 
 COMPANY CONFIDENTIAL INFORMATION CONTAINED HEREIN IS CONFIDENTIAL. IT IS TO BE USED SOLELY FOR THE PURPOSE PROVIDED, AND IT IS NOT TO BE DISCLOSED TO OTHERS WITHOUT THE PRIOR WRITTEN CONSENT OF TOWER INNOVATIONS.

**TOLERANCES**  
 .X± 3/32" ANGLES± 2'  
 .XX± 3/32" DRILLED HOLE± #1/32"  
 .XXX± 1/16" BURNED HOLE± #1/16"

UNLESS OTHERWISE SPECIFIED DIMENSIONS ARE IN: INCHES

TITLE  
**3'-9" x 3' Bridge With Two 21' Length Pipe Columns**

DWG NO.  
**KHB2-303-210-02**

REV  
 -

DO NOT SCALE DRAWING