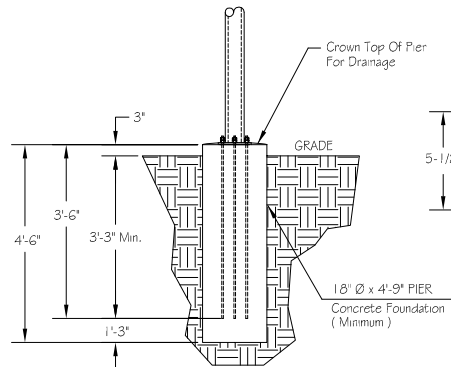
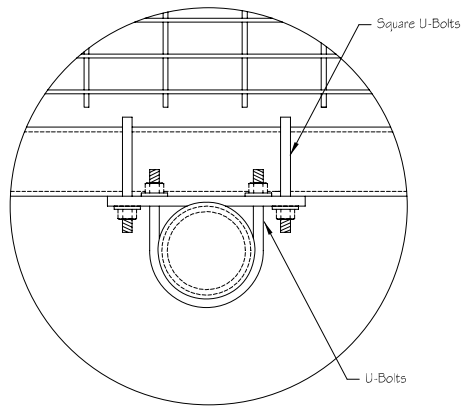


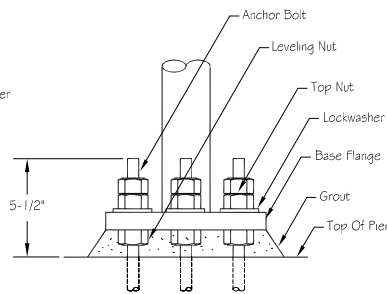
ASSEMBLY DRAWING

Connections 1 & 2

Foundation Detail



Anchor Bolt Detail



STEEL PARTS

ITEM NO.	PART NO.	DESCRIPTION	QTY.
1	TLB303HE	3' Heavy Bridge Grp Strut Extension Design	1
2	BTFC-01	Bridge To Pipe Column Connection Plate	2
3	HTLP-210	4' Sch. 80 x 21' Pipe Columns With Bottom Flange	2
4*	PC400	4" Sch. 80 Pipe Cap	2
5*	HTB-TEMP-01	Template For Anchor Bolts	2

HARDWARE

ITEM NO.	PART NO.	DESCRIPTION	QTY.
1	UB50X525G	1/2" x 5-1/4" c-c x 6-1/2" Isl A-36 U-Bolts	4
2	UB50X4255Q	1/2" x 4-1/4" c-c x 5-1/2" Isl A-36 Sq. U-Bolts	4
3	NU050G	1/2" H.D.G. Nuts	16
4	WLO50G	1/2" H.D.G. Lockwashers	16
5	WFO50G	1/2" H.D.G. Flatwashers	16
6	AB087X45	7/8" x 45' ASTM A-449 Anchor Bolts	12
7	NU087G	7/8" H.D.G. Nuts	36
8	WLO87G	7/8" H.D.G. Lockwashers	12

** Flatwashers Are To Be Used At All Slotted Hole Locations !! **

WEIGHT & ENGINEERING INFORMATION

KIT NO.	WEIGHT (lbs.)	DESCRIPTION	CaAc (Sq. Ft.)
KHB2-303-210-01	935	3'-9" x 3' Bridge : Two 21' Columns	N/A

NOTES:

- 1.) Transmission Line Hangers Are Not Provided With This Kit !
- 2.) Steel Parts Indicated Above With An "*" Will Be Packed With The Hardware.
- 3.) The Foundation Design Provided Is Per Normal Soil Parameters Set Forth In TIA/EIA Standards. Bottom Of Foundation Must Be Extended Below The Frost Line For The Area In Which It Is To Be Installed. If Poor Soil Is Encountered, It Is Recommended That A Geotechnical Investigation Be Completed And Foundations Should Be Designed According To The Results & Recommendations Of The Geotechnical Report.



PH# (812) 853-0595
 FAX# (812) 853-6652
 2855 HIGHWAY 261
 NEWBURGH, IN. 47630

REV. #	DESCRIPTION	DATE	APP.	DRAWN	DATE
				A.W.L.	1-12-07
				CHECK	DATE
				APPROVAL	DATE



COMPANY CONFIDENTIAL INFORMATION
 CONTAINED HEREIN IS CONFIDENTIAL.
 IT IS TO BE USED SOLELY FOR THE
 PURPOSE PROVIDED, AND IT IS NOT TO
 BE DISCLOSED TO OTHERS WITHOUT
 THE PRIOR WRITTEN CONSENT OF
 TOWER INNOVATIONS

TOLERANCES
 .X± 3/32" ANGLES± 2'
 .XX± 3/32" DRILLED HOLE± #1/32"
 .XXX± 1/16" BURNED HOLE± #1/16"

UNLESS OTHERWISE SPECIFIED DIMENSIONS ARE IN: INCHES

TITLE
 3'-9" x 3' Bridge With Two 21' Length Pipe Columns

DWG NO.
 KHB2-303-210-01
 REV -
 DO NOT SCALE DRAWING