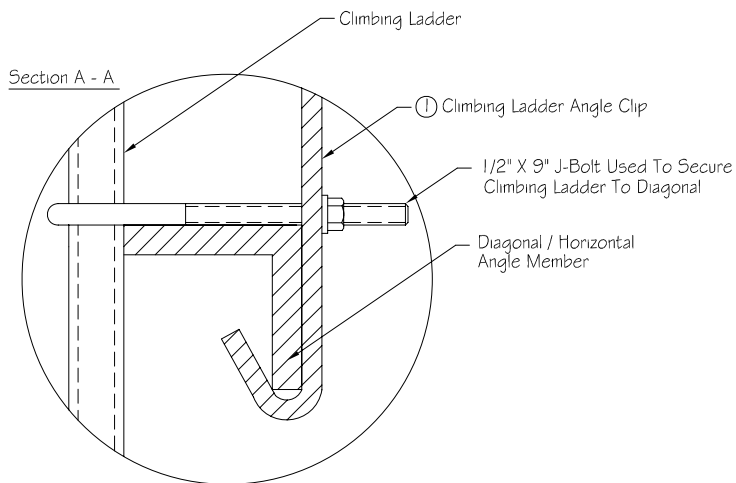
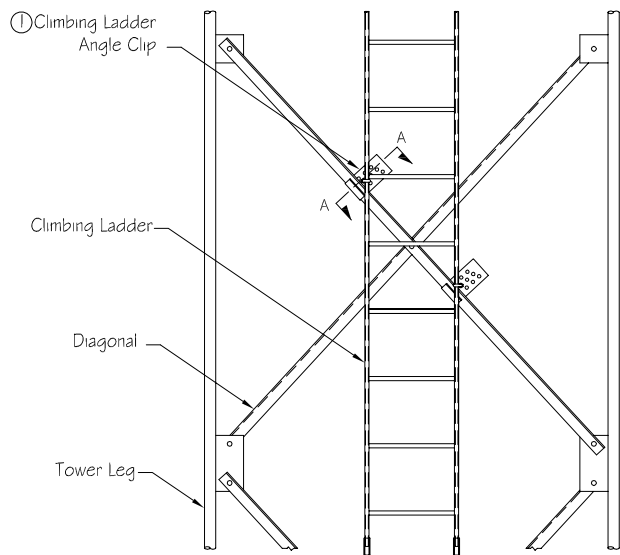


Typical Installations



STEEL PARTS

ITEM NO.	PART NO.	DESCRIPTION	QTY.
1 *	WG003	Climbing Ladder Angle Clip	8
2	LA-C-25M	Climbing Ladder	1

HARDWARE

ITEM NO.	PART NO.	DESCRIPTION	QTY.
1	JBT5OX9OOG	1/2" x 9" H.D.G. J-Bolts	8
2	NU05OG	1/2" H.D.G. Nuts	8
3	WL05OG	1/2" H.D.G. Lockwashers	8
4	WF05OG	1/2" H.D.G. Flatwashers	8

** Flatwashers Are To Be Used At All Slotted Hole Locations !! **

WEIGHT & ENGINEERING INFORMATION

KIT NO.	WEIGHT (lbs.)	DESCRIPTION	CaAc (Sq. Ft.)
CLKA25-50	161.43	25' Climbing Ladder Kit	N/A

NOTES:

- 1.) This Kit Will Mount on 1-1/2" To 5" Angle.
- 2.) This Kit Can Be Used To Secure Climbing Ladder To Diagonal Or Horizontal Member.
- 3.) Steel Parts Indicated Above With An " * " Will Be Packed With The Hardware.



PH# (812) 853-0595
 FAX# (812) 853-6652
 2855 HIGHWAY 261
 NEWBURGH, IN. 47630

REV. #	DESCRIPTION	DATE	APP.	DRAWN A.W.L.	DATE 7-14-06
				CHECK	DATE
				APPROVAL	DATE

THIRD ANGLE PROJECTION

COMPANY CONFIDENTIAL INFORMATION CONTAINED HEREIN IS CONFIDENTIAL. IT IS TO BE USED SOLELY FOR THE PURPOSE PROVIDED, AND IT IS NOT TO BE DISCLOSED TO OTHERS WITHOUT THE PRIOR WRITTEN CONSENT OF TOWER INNOVATIONS

TOLERANCES
 .X± 3/32" ANGLES± 2"
 .XX± 3/32" DRILLED HOLE± #1/32"
 .XXX± 1/16" BURNED HOLE± #1/16"

UNLESS OTHERWISE SPECIFIED DIMENSIONS ARE IN:
 INCHES

TITLE	25' CLIMBING LADDER KIT
DWG NO.	CLKA25-50
REV	-
DO NOT SCALE DRAWING	